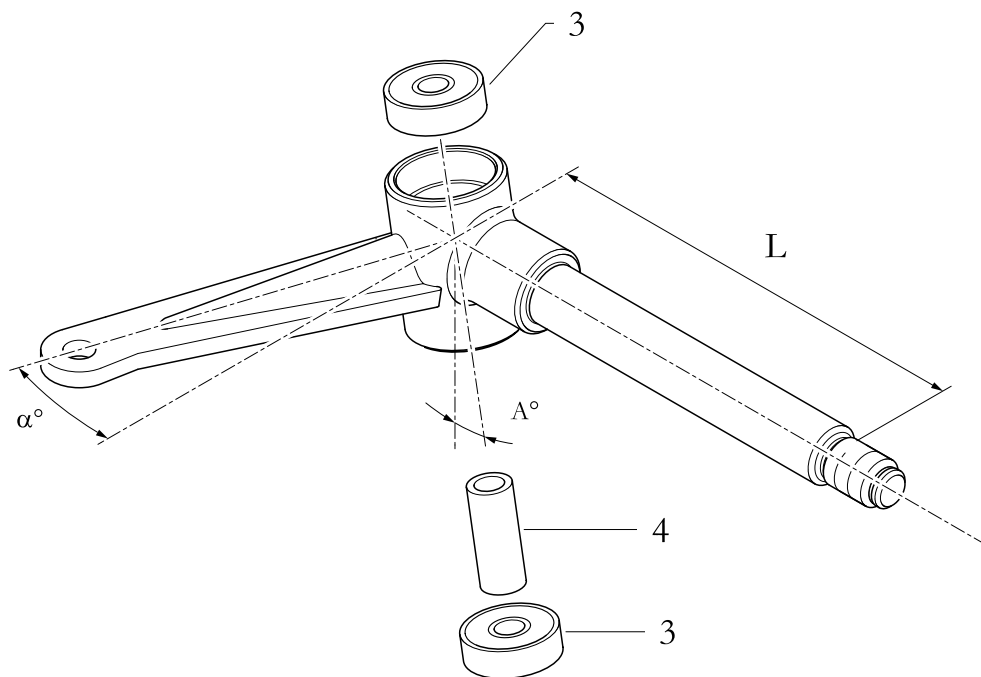
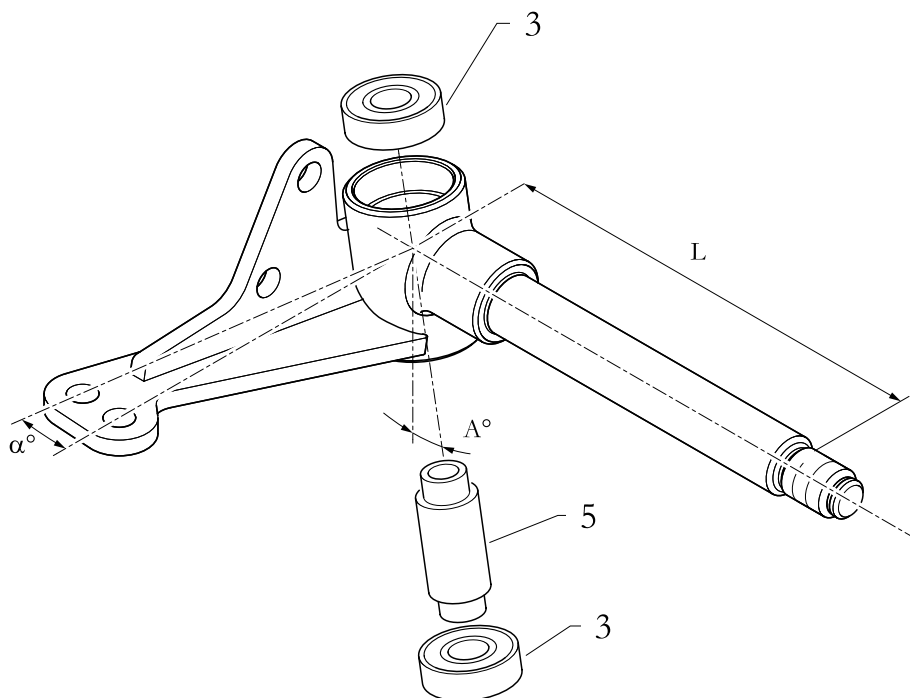


GR.M.03/011

1



2



## FUSELLI - SPINDLES

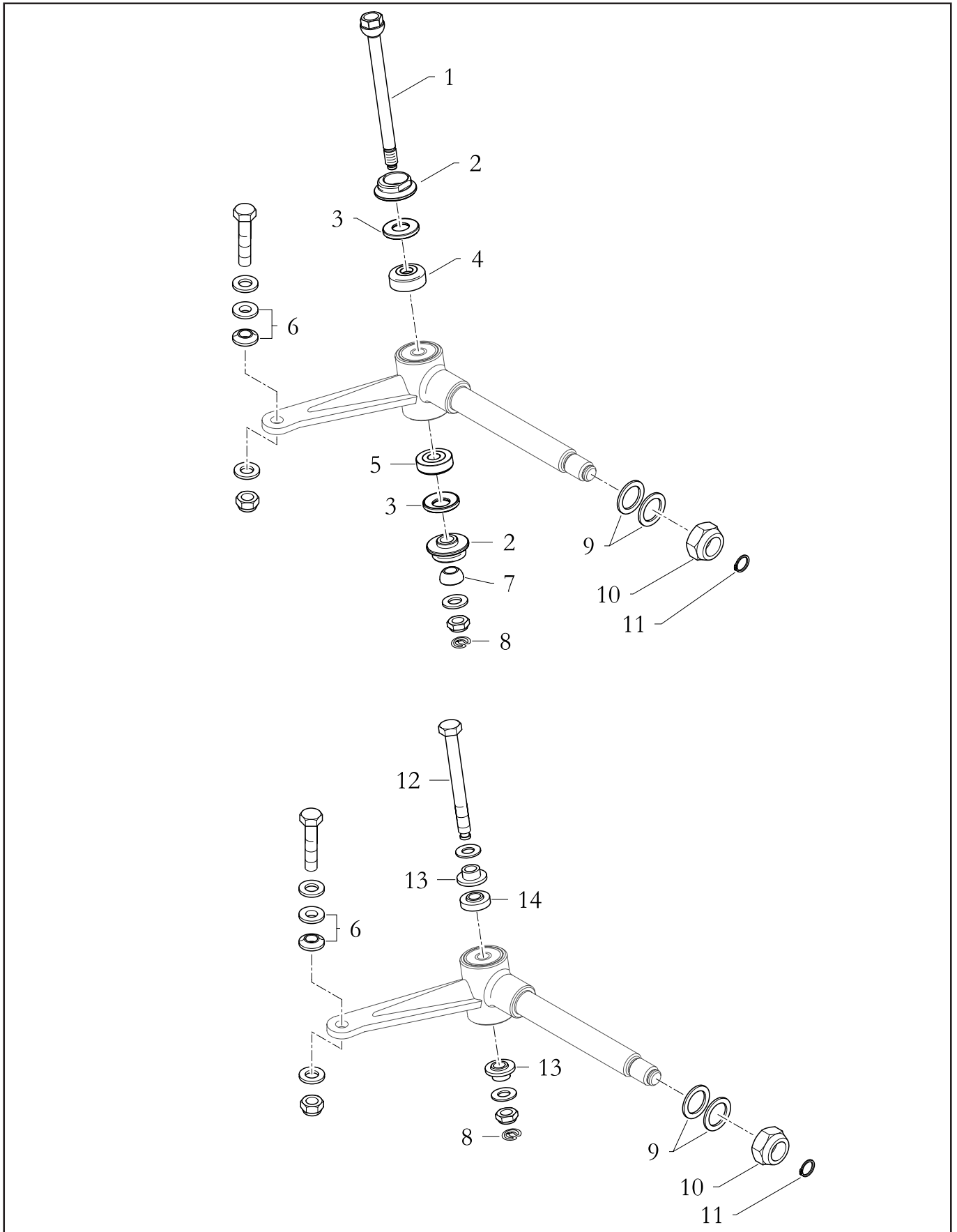
## GR.M.03/011

Pos.	Cod. Articolo	Descrizione	Description
1	10.5779.00	ASS.FUSELLO D.A-10x135-E/17	SPINDLE R. A-10x135-E/17 ASSY.
1	10.5780.00	ASS.FUSELLO S.A-10x135-E/17	SPINDLE L. A-10x135-E/17 ASSY.
1	10.5781.00	ASS.FUSELLO D.A-10x150-E/17	SPINDLE R. A-10x150-E/17 ASSY.
1	10.5782.00	ASS.FUSELLO S.A-10x150-E/17	SPINDLE L. A-10x150-E/17 ASSY.
1	10.5783.00	ASS.FUSELLO D.A-10x165-E/17	SPINDLE R. A-10x165-E/17 ASSY.
1	10.5784.00	ASS.FUSELLO S.A-10x165-E/17	SPINDLE L. A-10x165-E/17 ASSY.
1	10.6234.00	ASS.FUSELLO D.A-11x165-D/17	SPINDLE R. A-11x165-D/17 ASSY.
1	10.6235.00	ASS.FUSELLO S.A-11x165-D/17	SPINDLE L. A-11x165-D/17 ASSY.
1	10.6220.00	ASS.FUSELLO D.A-12x165-D/17	SPINDLE R. A-12x165-D/17 ASSY.
1	10.6221.00	ASS.FUSELLO S.A-12x165-D/17	SPINDLE L. A-12x165-D/17 ASSY.
2	10.6339.00	ASS.FUSELLO D.P.C-10x135-D/17	SPINDLE R. P.C-10x135-D/17 ASSY.
2	10.6340.00	ASS.FUSELLO S.P.C-10x135-D/17	SPINDLE L. P.C-10x135-D/17 ASSY.
3	608-ZZ	CUSCINETTO	BEARING
3	6000-ZZ	CUSCINETTO	BEARING
4	20.3891.06	DISTANZIALE 8x12x29,5	SPACER 8x12x29
5	20.4902.06	DISTANZIALE GUIDA FUSELLO 8/10	SPACER SPINDLE 8/10

**Note:** Angolo leva fusello - Angle spindle lever:  $\alpha^\circ$ : D = 7.5° ; E = 10° ; C = 5°

# FUSELLI - SPINDLES

## GR.M.03/011

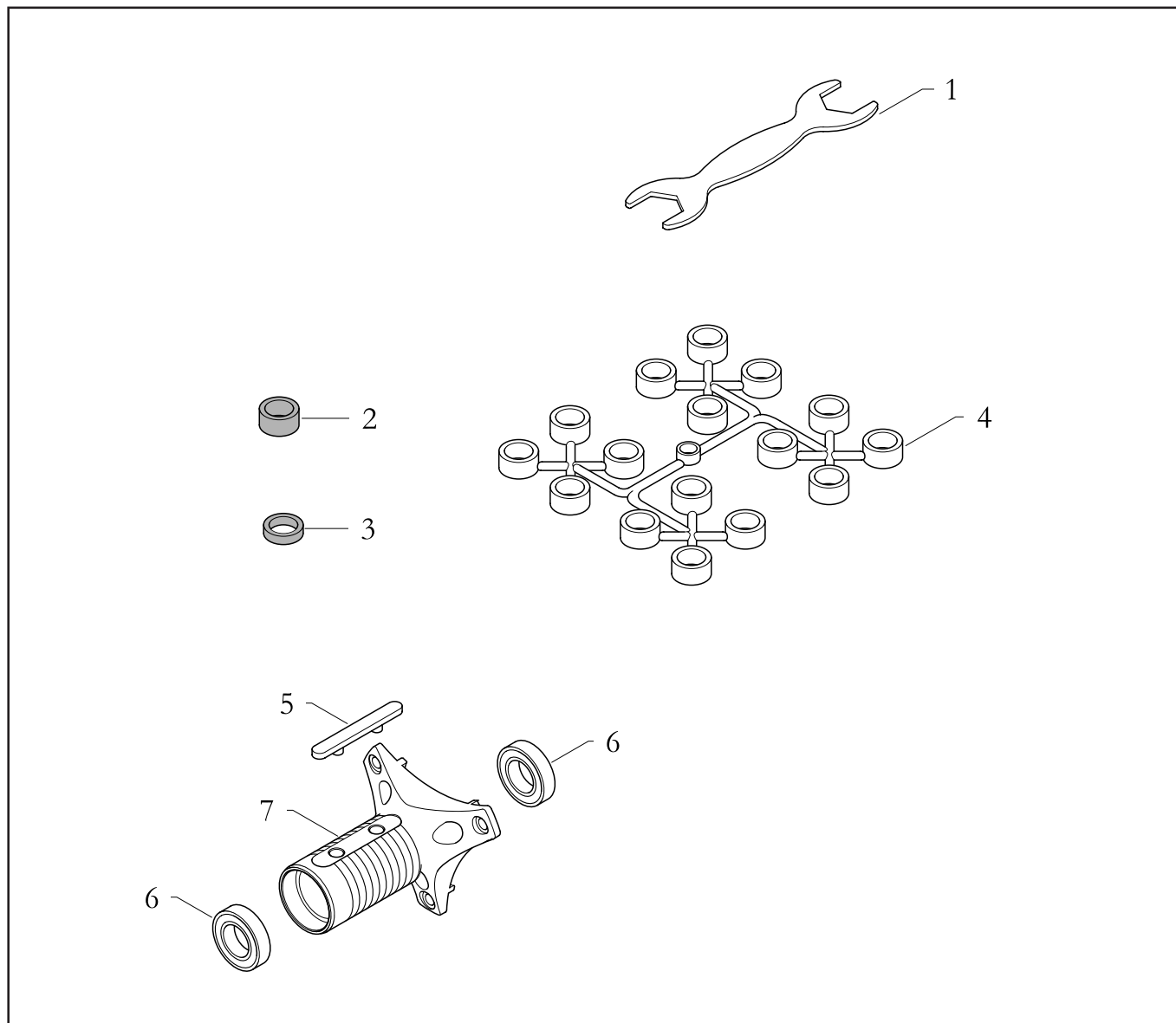


## FUSELLI - SPINDLES

## GR.M.03/011

Pos.	Cod. Articolo	Descrizione	Description
1	20.7000.06-NE	VITE BLOCCAGGIO FUSELLO R	KING PIN R
2	20.7001.06-NE	BOCCOLA GRADUATA d.14/0	GRADUATED BUSHING d. 14/0
2	20.4989.06-NE	BOCCOLA GRADUATA d.14/0.5	GRADUATED BUSHING d. 14/0.5
2	20.4987.06-NE	BOCCOLA GRADUATA d.14/1	GRADUATED BUSHING d.14/1
3	20.4748.06	BOCCOLA CONCAVA 13x24	CONCAVE WASHER 13x24
4	20.7269.06	BOCCOLA CONVESSA 8x24x9.2	CONCAVE WASHER 8x24x9.2
5	20.7268.06	BOCCOLA CONVESSA 8x24x6.2	CONCAVE WASHER 8x24x6.2
6	20.1900.06	DISTANZIALE UNIBOOL	SPACER UNIBOOL
7	20.4988.06-NE	BOCCOLA SFERICA R8	SPHERIC WASHER R8
8	40.0217.00	ANELLO D'ARRESTO 3,1x11x1	CIRCLIP 3,1x11x1
9	RS-17X24X0,2	ROSETTA DIN 988	WASHER DIN 988
9	RS-17X24X0,5	ROSETTA DIN 988	WASHER DIN 988
10	DEA-M14PF	DADO UNI 7474	NUT UNI 7474
11	AAE-11	ANELLO D'ARRESTO UNI 7435	CIRCLIP UNI 7435
12	20.5096.06	VTE M8x 85 FP USA	VTE M8x 85 USA
12	20.5097.06	VTE M8x 75 FP USA	VTE M8x 75 FP USA
12	20.1579.06	VITE BLOCCAGGIO FUSELLO RETT.	SPINDLE AXLE SCREW
13	20.0064.06	BOCCOLA GUIDA FUSELLO	SPINDLE AXLE BUSHING
13	20.1587.06	BOCCOLA ECCENTRICA 0,5	ECCENTRIC BUSHING 0,5
13	20.0171.06	BOCCOLA ECCENTRICA 1,5	ECCENTRIC BUSHING 1,5
14	20.1098.06	DISTANZIALE 8x20x5,5	SPACER 8x20x5,5
14	20.3645.10-BL	DISTANZIALE 8x20x2,75 MTS	SPACER 8x20x2,75 MTS

GR.M.03/011



## FUSELLI - SPINDLES

## GR.M.03/011

Pos.	Cod. Articolo	Descrizione	Description
1	20.4662.06	CHIAVE BOCCOLA FUSELLO	CASTER ADJUSTER TOOL
2	20.0249.10-BL	DISTANZIALE 17x24x10 MTS	SPACER 17x24x10 MTS
3	20.0263.10-BL	DISTANZIALE 17x24x5 MTS	SPACER 17x24x5 MTS
4	10.2000.00	GRUPPO DISTANZIALI RUOTE	WHEEL SPACER GROUP
5	20.4708.06	CHIAVETTA 8x3x60 CON PIOLI d. 7,5	STAKE AXLE KEY 8x3x60 d. 7.5
6	6003-ZZ	CUSCINETTO	BEARING
7	20.4716.10	CONTROMOZZO C	HUB SUPPORT C