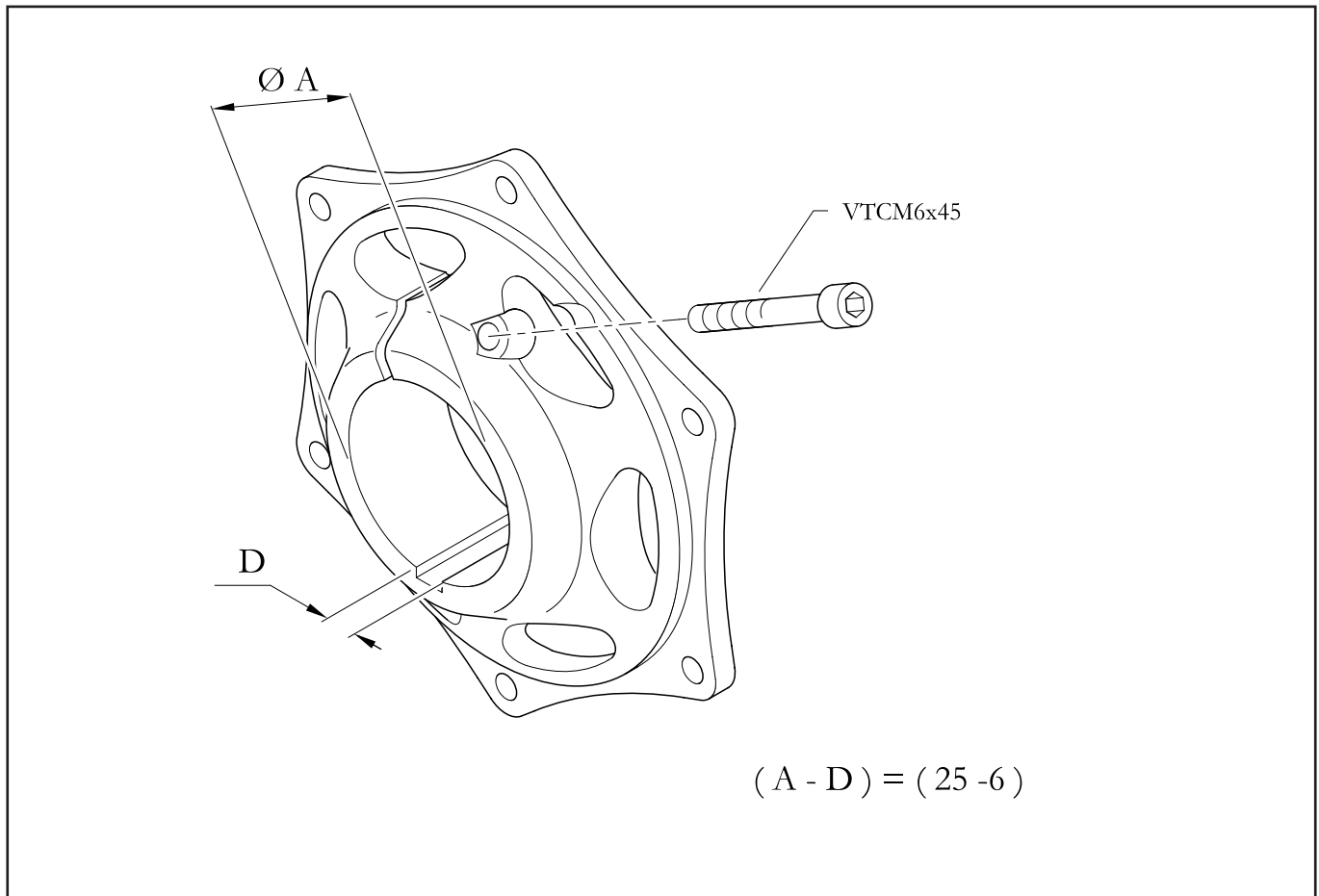


PORTACORONA - CROWN CARRIER

GR.M.03/020



Pos.	Cod. Articolo	Descrizione	Description
1	5700.00.12	PORTACORONA 25-6 A	CROWN CARRIER 25-6 A
1	5850.00.01	PORTACORONA 25-6 A HQ	CROWN CARRIER 25-6 A HQ
1	5700.00.07	PORTACORONA 30-6 A	CROWN CARRIER 30-6 A
1	5850.00.02	PORTACORONA 30-6 A HQ	CROWN CARRIER 30-6A HQ
1	5700.00.11	PORTACORONA 40-8 A	CROWN CARRIER 40-8 A
1	5850.00.04	PORTACORONA 40-8 A HQ	CROWN CARRIER 40-8A HQ
1	5850.00.06	PORTACORONA 50-8 A HQ	CROWN CARRIER 50-8 A HQ

Note: Nella descrizione dell'articolo: la lettera finale identifica il materiale. Legenda materiali: A = Alluminio, F = Ferro, G = Ghisa, M = Magnesio.

Note: In the article description: the final letter identifies the material. Material index: A = Aluminium, F = Iron, G = Cast Iron, M = Magnesium.