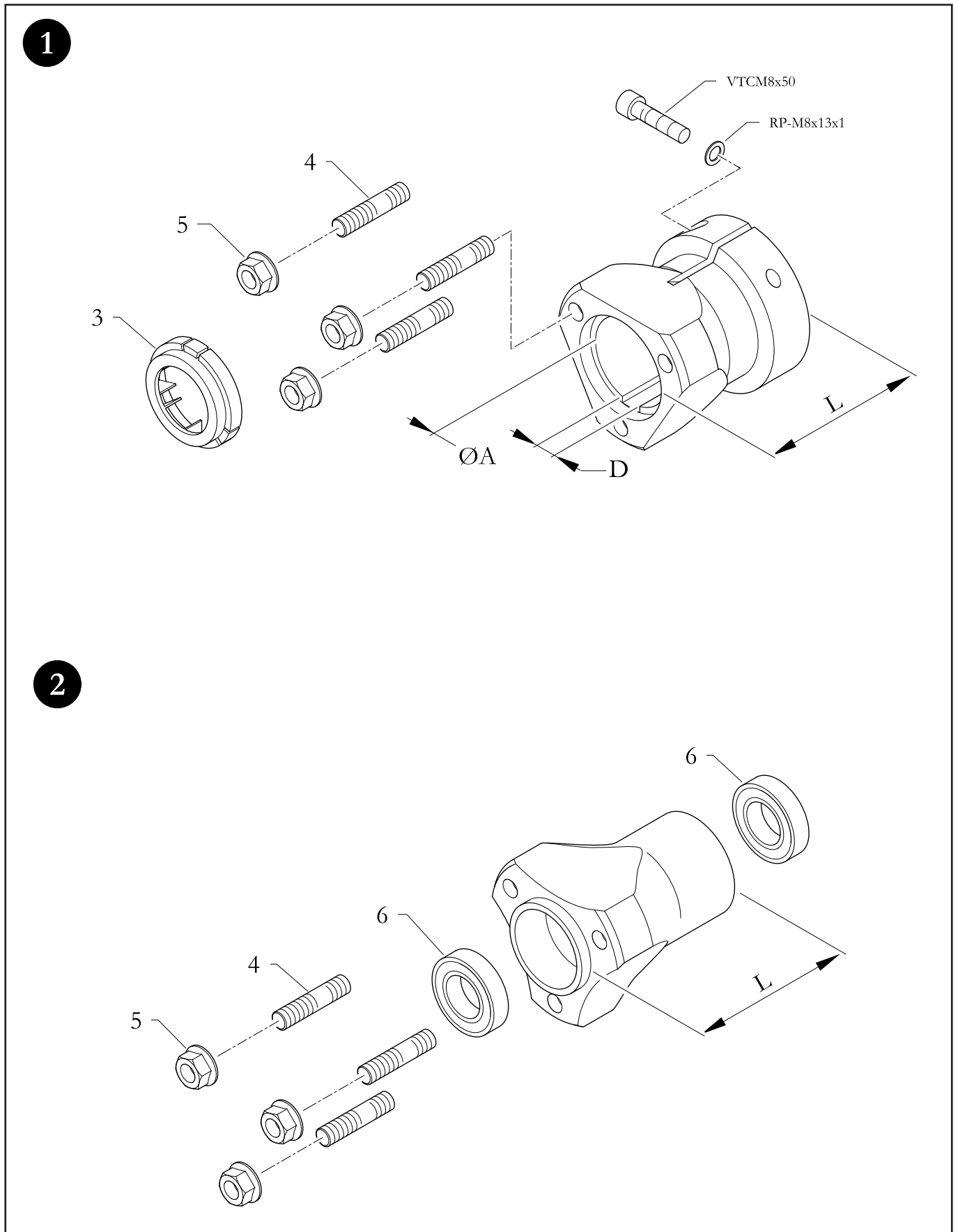


GR.M.03/030



MOZZI - HUBS

GR.M.03/030

Pos.	Cod. Articolo	Descrizione	Description
1	6200.00.07	MOZZO RUOTA 25x 50-6A/P	WHEEL HUB 25x 50-6A/P
1	6200.00.08	MOZZO RUOTA 25x100-6A/P	WHEEL HUB 25x100-6A/P
1	6200.00.09	MOZZO RUOTA 30x100-6A/P	WHEEL HUB 30x100-6A/P
1	6200.00.11	MOZZO RUOTA 40x100-8A/P	WHEEL HUB 40x100-8A/P
1	5800.00.36	MOZZO RUOTA 25x 25-6A/P HQ	WHEEL HUB 25x 25-6A/P HQ
1	5800.00.32	MOZZO RUOTA 30x100-6A/P HQ	WHEEL HUB 30x100-6A/P HQ
1	5800.00.33	MOZZO RUOTA 40x 75-8A/P HQ	WHEEL HUB 40x 75-8A/P HQ
1	5800.00.34	MOZZO RUOTA 40x100-8A/P HQ	WHEEL HUB 40x100-8A/P HQ
1	5800.00.35	MOZZO RUOTA 40x125-8A/P HQ	WHEEL HUB 40x125-8A/P HQ
1	5800.00.37	MOZZO RUOTA 50x 85-8A/P HQ	WHEEL HUB 50x85-8A/P HQ
1	5800.00.02	MOZZO RUOTA 50x100-8A/P HQ	WHEEL HUB 50x100-8A/P HQ
1	5800.00.38	MOZZO RUOTA 50x125-8A/P HQ	WHEEL HUB 50x125-8A/P HQ
2	5800.00.20-OR	MOZZO RUOTA ANT. 70/17-A/P HQ	FRONT WHEEL HUB 70/17-A/P HQ
2	5800.00.29-BL	MOZZO RUOTA ANT. 100/17-A/P HQ	FRONT WHEEL HUB 100/17-A/P HQ
3	20.3040.18	BOCCOLA CENTRAGGIO 40	CENTER BUSHING 40
4	40.6159.00	PRIGIONIERO M8x35	SCREW STUD M8x35
5	40.6257.00	DADO AUTOBLOC. FLANGIATO M8	FLANGED LOCK NUT M8
6	6003-ZZ	CUSCINETTO	BEARING

Note: Nella descrizione dell'articolo, la lettera finale identifica il materiale.

Legenda materiali: A = Alluminio, F = Ferro, G = Ghisa, M = Magnesio. Dopo la barra la P identifica il Prigioniero.

Note: In the article description, the final letter identifies the material.

Material index: A = Aluminium, F = Iron, G = Cast Iron, M = Magnesium. The letter "P" after the / identifies the Screws stud.