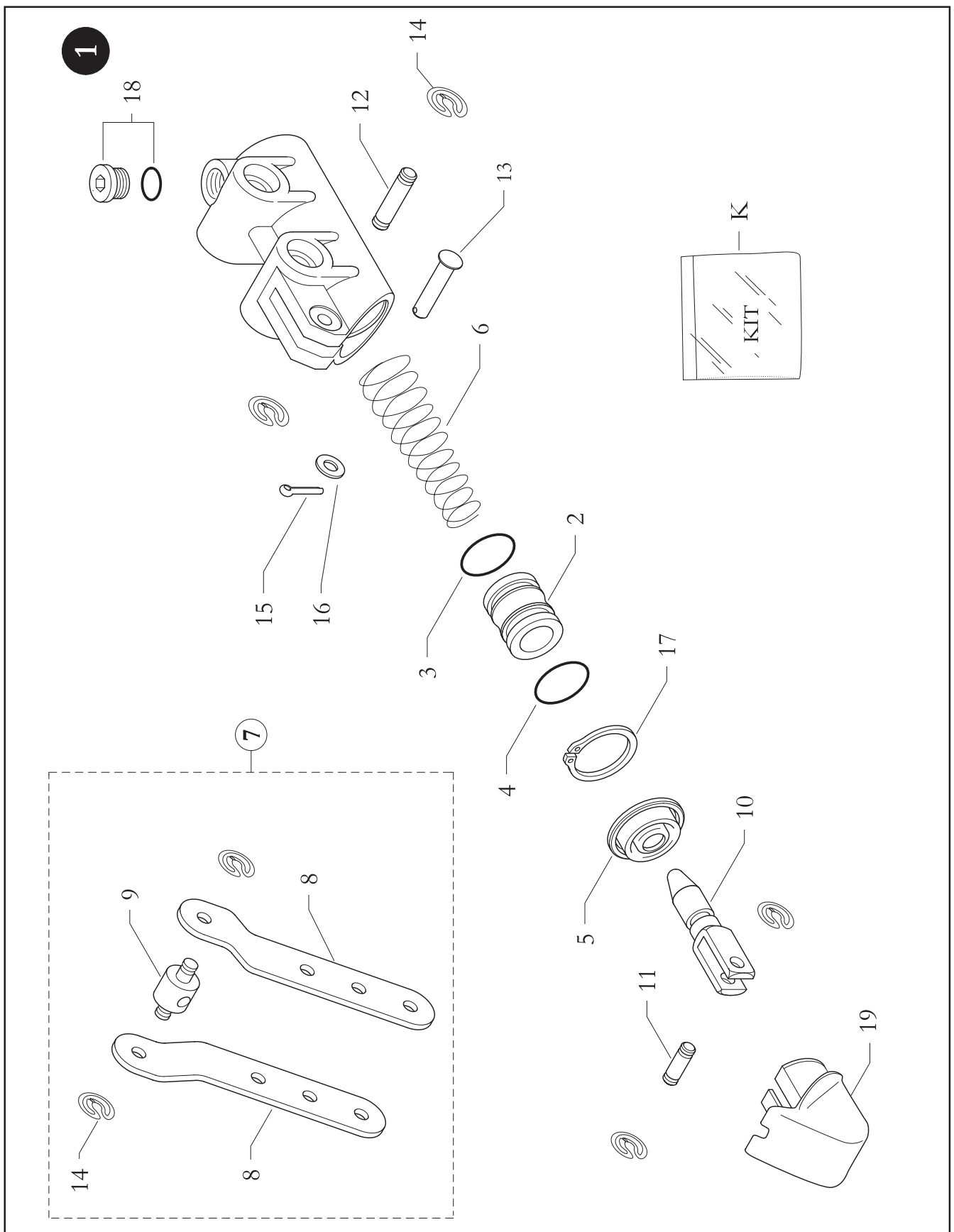


POMPE FRENO - BRAKE MASTER CYLINDER

GR.M.03/086



POMPE FRENO - BRAKE MASTER CYLINDER

GR.M.03/086

Pos.	Cod. Articolo	Descrizione	Description
1	10.6406.00	ASSIEME POMPA 19/B LD	MASTER CYLINDER 19/B LD, ASSY.
2	20.4901.18	POMPANTE POMPA 19/B	PUMPING MASTER CYLINDER 19/B
3	40.6377.00	GUARNIZIONE OR 13,95x2,62 EPDM	GROMMET OR 13,95x2,62 EPDM
4	40.3738.00	GUARNIZIONE OR 15,60x1,78 EPDM	GROMMET OR 15,60x1,78 EPDM
5	20.4887.20	SOFFIETTO POMPA FRENO	RUBBER PROTECTION FOR BRAKE PUMP
6	20.3256.06	MOLLA POMPA 19	SPRING FOR MASTER CYLINDER 19
6	20.0962.06	MOLLA POMPA 22	SPRING FOR MASTER CYLINDER 22
7	10.2112.00	ASS.LEVA DOPPIA POMPA FRENO	DOUBLE PUMP LEVER, ASSEMBLY
8	20.0877.06	SEMILEVA COMANDO POMPA	HALF LEVER, PUMP
9	20.0874.06	GUIDA TIRANTE POMPA	TIE ROD GUIDE, PUMP
10	20.4900.06	FORCELLA POMPANTE POMPA FRENO B	MASTER CYLINDER FORK B
11	20.0873.06	PERNO 5x15	PIN 5x15
12	20.1447.06	PERNO 5x25	PIN 5x25
13	20.7043.06	PERNO TC 5x23,5	PIN TC 5x23,5
14	40.0217.00	ANELLO D'ARRESTO 3,1x11x1	CIRCLIP 3,1x11x1
15	40.5182.00	COPIGLIA 1,5x12 UNI 1336	SPLIT PIN 1,5x12 UNI 1336
16	40.7072.00	ROSETTA 5x9x0,5	WASHER 5x9x0,5
17	AAI-22	ANELLO D'ARRESTO UNI 7437	CIRCLIP UNI 7437
17	AAI-24	ANELLO UNI 7437	CIRCLIP UNI 7437
18	40.4270.00	TAPPO CILINDRICO	CYLINDRICAL CAP
19	20.1859.18	CUFFIETTA POMPA FRENO	PUMP COVER
	10.6459.00	KIT REVISIONE POMPA 19/B	OVERHAUL PUMP KIT 19/B
	10.6553.00	KIT REVISIONE POMPA 22/B	OVERHAUL KIT PUMP 22/B
	10.0994.00	KIT REVISIONE POMPA 22	OVERHAUL PUMP KIT 22