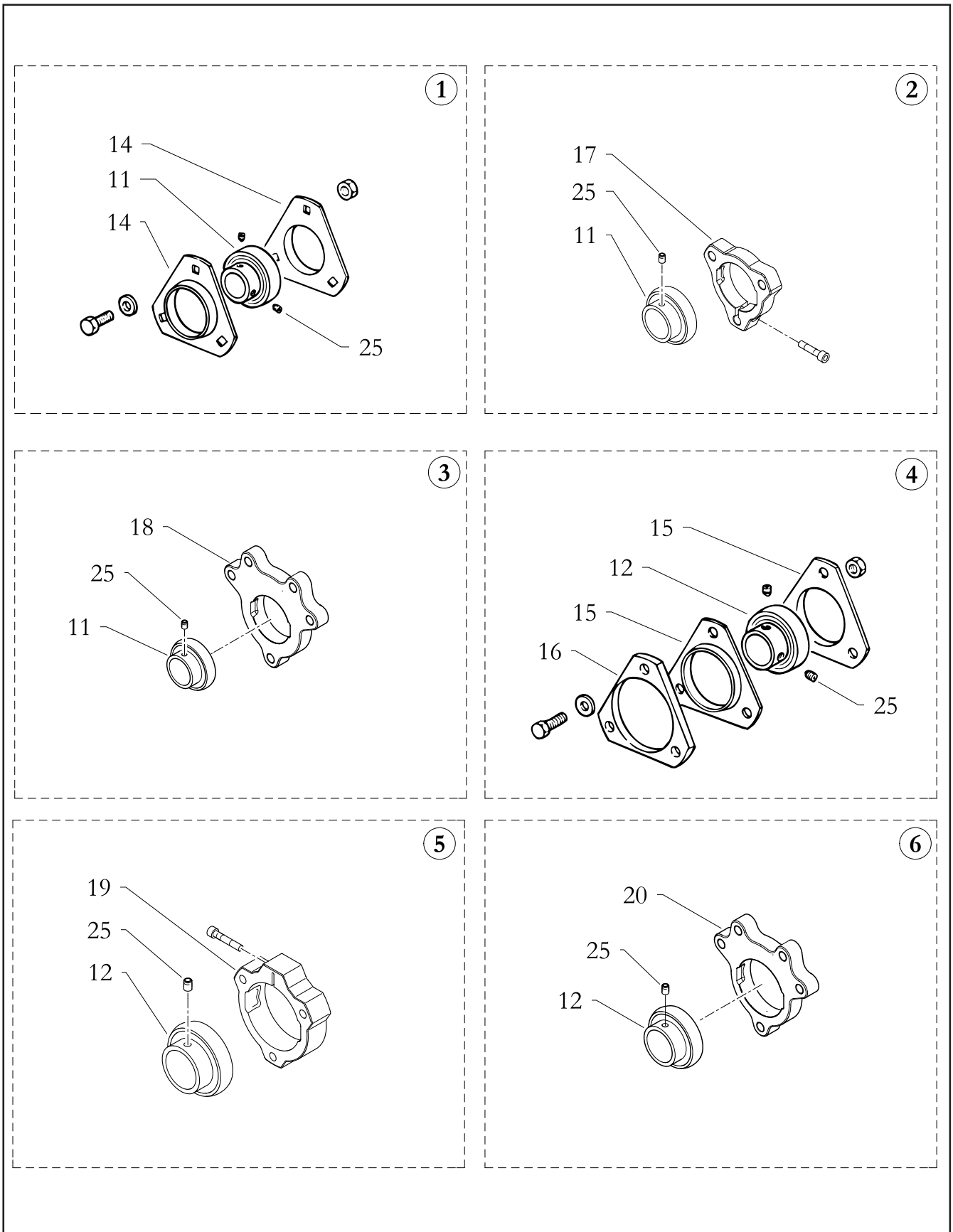


# CUSCINETTI ASSALE - BEARING FOR AXLE

## GR.M.03/094



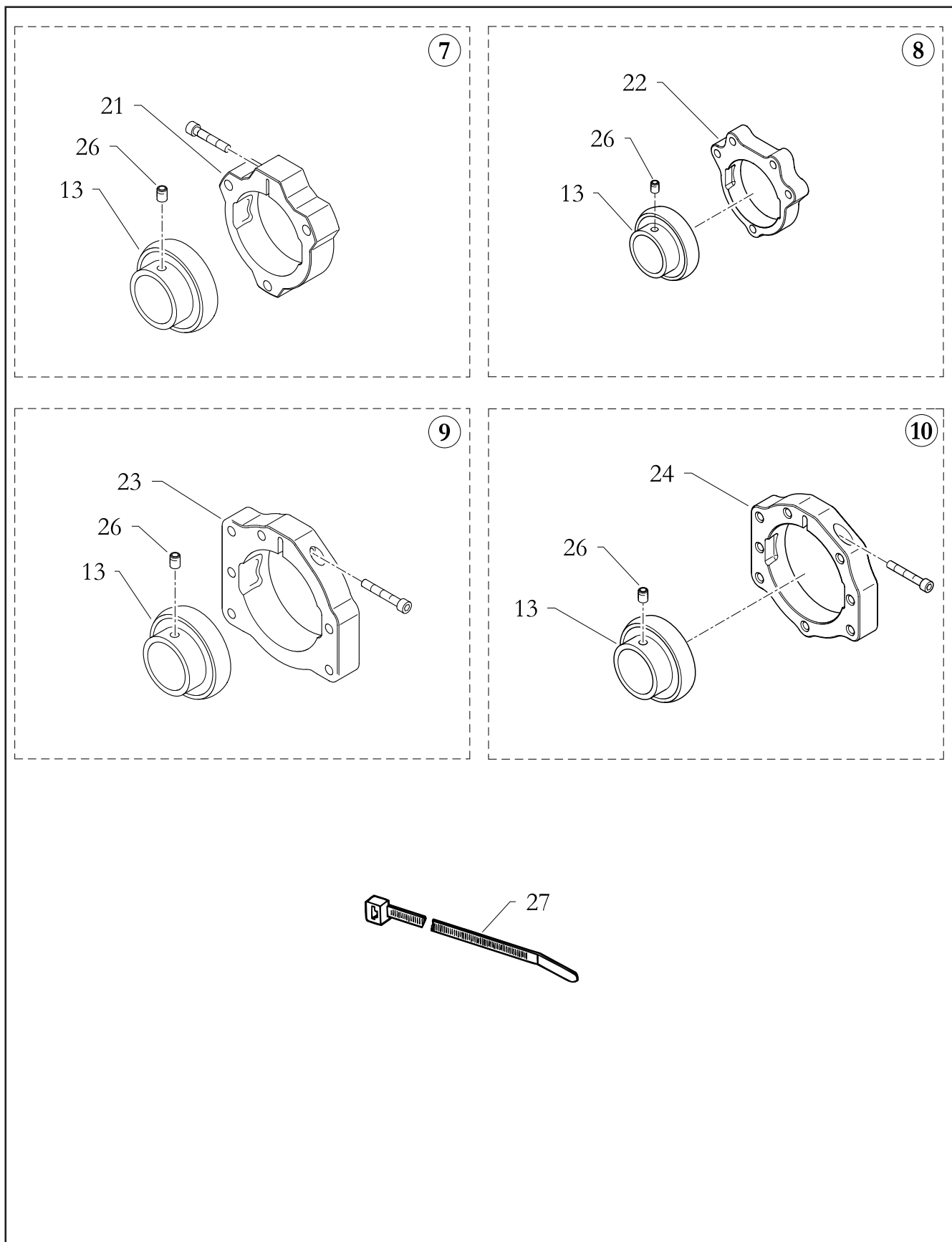
## CUSCINETTI ASSALE - BEARING FOR AXLE

## GR.M.03/094

| Pos. | Cod. Articolo | Descrizione                     | Description                      |
|------|---------------|---------------------------------|----------------------------------|
| 1    | 10.2920.00    | ASS.CUSCINETTO ASSALE 25        | AXLE BEARING 25, ASSEMBLY        |
| 2    | 10.7302.00-BL | ASS.CUSCINETTO ASSALE 25 HQ     | AXLE BEARING 25 HQ, ASSEMBLY     |
| 3    | 10.7466.00-BL | ASS.CUSCINETTO ASSALE 25 P. MTS | AXLE BEARING 25 P., MTS ASSEMBLY |
| 4    | 10.2918.00    | ASS.CUSCINETTO ASSALE 30        | AXLE BEARING 30, ASSEMBLY        |
| 5    | 10.7303.00-BL | ASS.CUSCINETTO ASSALE 30 HQ     | AXLE BEARING 30 HQ, ASSEMBLY     |
| 6    | 10.7465.00-BL | ASS.CUSCINETTO ASSALE 30 P. MTS | AXLE BEARING 30 P., MTS ASSEMBLY |
| 11   | 40.0602.00    | CUSCINETTO ASSALE 25            | AXLE BEARING 25                  |
| 12   | 40.0604.00    | CUSCINETTO ASSALE 30            | AXLE BEARING 30                  |
| 14   | 40.2917.00    | SEMIGUSCIO CUSC.ASSALE 25       | HALF-HOLDER, AXLE BEARING 25     |
| 15   | 20.1833.06    | SEMIGUSCIO CUSC.ASSALE 30-8     | HALF-HOLDER, AXLE BEARING 30-8   |
| 16   | 20.3485.10-LU | DISTANZIALE CUSC.ASSALE 30-8    | SPACER, AXLE BEARING 30-8        |
| 17   | 10.6431.00-BL | FLANGIA CUSC. ASSALE 25 HQ MTS  | SUPPORT AXLE BEARING 25 HQ MTS   |
| 18   | 10.7464.00-BL | FLANGIA CUSC. ASSALE 25 P. MTS  | SUPPORT AXLE BEARING 25 P. MTS   |
| 19   | 10.6432.00-BL | FLANGIA CUSC. ASSALE 30 HQ MTS  | SUPPORT AXLE BEARING 30 HQ MTS   |
| 20   | 10.7463.00-BL | FLANGIA CUSC. ASSALE 30 P. MTS  | SUPPORT AXLE BEARING 30 P. MTS   |
| 25   | 40.1738.00    | GRANO 6x7x0,75                  | DOWEL 6x7x0,75                   |

# CUSCINETTI ASSALE - BEARING FOR AXLE

## GR.M.03/094



## CUSCINETTI ASSALE - BEARING FOR AXLE

## GR.M.03/094

| Pos. | Cod. Articolo | Descrizione                           | Description                          |
|------|---------------|---------------------------------------|--------------------------------------|
| 7    | 10.6105.00    | ASS.CUSCINETTO ASSALE 40 HQ           | AXLE BEARING 40 HQ, ASSEMBLY         |
| 7    | 10.6105.00-BL | ASS.CUSCINETTO ASSALE 40 HQ MTS       | AXLE BEARING 40 HQ, MTS ASSEMBLY     |
| 8    | 10.7428.00-BL | ASS.CUSCINETTO ASSALE 40 P. MTS       | AXLE BEARING 40 P. MTS ASSEMBLY      |
| 9    | 10.6212.00-BL | ASS.CUSCINETTO ASSALE 40 R. MTS H22   | AXLE BEARING 40R. MTS ASSEMBLY H22   |
| 9    | 10.6617.00-BL | ASS.CUSCINETTO ASSALE 40 R. MTS H22 F | AXLE BEARING 40R. MTS ASSEMBLY H22 F |
| 10   | 10.7440.00-BL | ASS.CUSCINETTO ASSALE 40 T. MTS H22 F | AXLE BEARING 40T. MTS ASSEMBLY H22 F |
| 9    | 10.6222.00-BL | ASS.CUSCINETTO ASSALE 50 R. MTS H22   | AXLE BEARING 50R. MTS ASSEMBLY H22   |
| 9    | 10.6615.00-BL | ASS.CUSCINETTO ASSALE 50 R. MTS H22 F | AXLE BEARING 50R. MTS ASSEMBLY H22 F |
| 10   | 10.7441.00-BL | ASS.CUSCINETTO ASSALE 50 T. MTS H22 F | AXLE BEARING 50T. MTS ASSEMBLY H22 F |
| 13   | 40.2519.00    | CUSCINETTO ASSALE 40                  | AXLE BEARING 40                      |
| 13   | 40.4479.00    | CUSCINETTO ASSALE 50                  | AXLE BEARING 50                      |
| 13   | 40.7109.00    | CUSCINETTO ASSALE 50/80               | AXLE BEARING 50/80                   |
| 21   | 10.6104.00    | FLANGIA CUSC. ASSALE 40 HQ            | SUPPORT AXLE BEARING 40 HQ           |
| 21   | 10.6104.00-BL | FLANGIA CUSC. ASSALE 40 HQ MTS        | SUPPORT AXLE BEARING 40 HQ MTS       |
| 22   | 10.7429.00-BL | FLANGIA CUSC. ASSALE 40 P. MTS        | SUPPORT AXLE BEARING 40 P. MTS       |
| 23   | 10.6201.00-BL | FLANGIA CUSC. ASSALE 40 R. MTS H22    | SUPPORT AXLE BEARING 40 R. MTS H22   |
| 23   | 10.6616.00-BL | FLANGIA CUSC. ASSALE 40 R. MTS H22 F  | SUPPORT AXLE BEARING 40 R. MTS H22 F |
| 24   | 10.7435.00-BL | FLANGIA CUSC. ASSALE 40 T. MTS H22 F  | SUPPORT AXLE BEARING 40 T. MTS H22 F |
| 23   | 10.6199.00-BL | FLANGIA CUSC. ASSALE 50 R. MTS H22    | SUPPORT AXLE BEARING 50 R. MTS H22   |
| 23   | 10.6614.00-BL | FLANGIA CUSC. ASSALE 50 R. MTS H22 F  | SUPPORT AXLE BEARING 50 R. MTS H22 F |
| 24   | 10.7436.00-BL | FLANGIA CUSC. ASSALE 50 T. MTS H22 F  | SUPPORT AXLE BEARING 50 T. MTS H22 F |
| 26   | 40.2921.00    | GRANO 8x1x7                           | DOWEL 8x1x7                          |
| 27   | 40.0607.00    | FASCETTA                              | NYLON CLAMP                          |