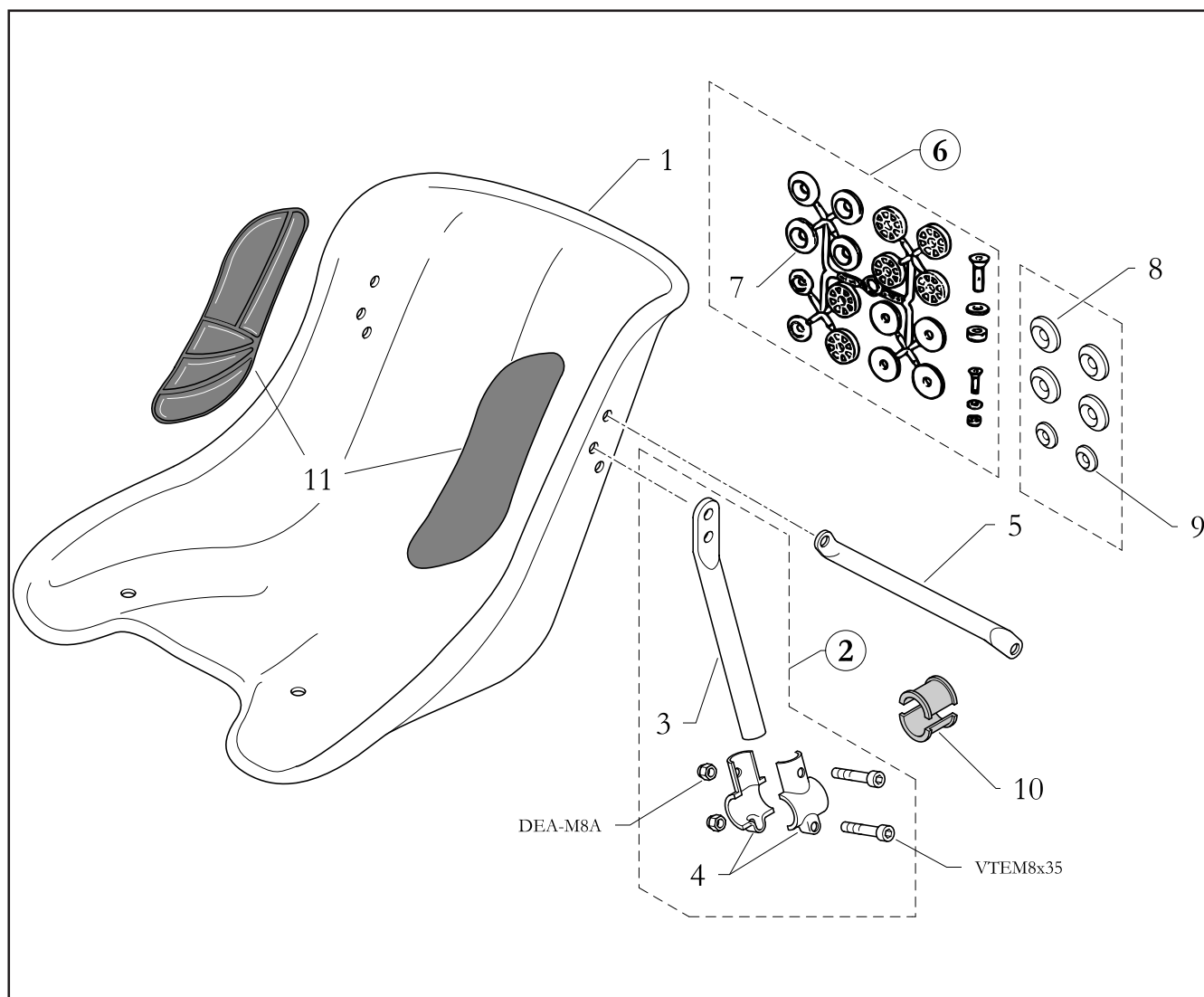


# SEDILI E SUPPORTI - SEAT AND SUPPORTS

## GR.M.03/097



**Note:** Nel codice, le lettere finali identificano, il colore.

Legenda colori: BA = Bianco, BL = Blu, GL = Giallo, LU = Lucido, NE = Nero, OR = Oro, RO = Rosso, VE = Verde, Mc = Multicolor, NU = Neutro.

Nella descrizione dei supporti sedili, la lettera finale identifica il lato. Legenda: D = Destro, S = Sinistro.

Nella descrizione dei sedili, le lettere finali identificano la dimensione.

Legenda dimensioni: S = Piccolo, M = Medio, L = Largo, XL = Extralargo.

**Note:** The final letters in the code identify the colour.

Colour index: BA = White, BL = Blue, GL = Yellow, LU = Bright, NE = Black, OR = Gold, RO = Red, VE = Green, MC = Multicolor, ECM = Ecomonic, NU = Neutral.

In the description of the seat support, the final letter identifies the side. Index: D = Right, S = Left.

The final letters in the seat description identify the size. Size index: S = Small, M = Medium, L = Large, XL = Extralarge.

# SEDILI E SUPPORTI - SEAT AND SUPPORTS

## GR.M.03/097

Pos.	Cod. Articolo	Descrizione	Description
1	6118.00.09-NU	SEDILE B25-X	SEAT B25-X
1	6118.00.01-NU	SEDILE S	SEAT S
1	6118.00.02-NU	SEDILE M	SEAT M
1	6118.00.03-NU	SEDILE L	SEAT L
1	6118.00.04-NU	SEDILE XL	SEAT XL
1	6118.00.08-NU	SEDILE XXL	SEAT XXL
1	6118.00.05-RO	SEDILE M RICOPERTO	COVERED M SEAT
1	6118.00.05-BL	SEDILE M RICOPERTO	COVERED M SEAT
1	6118.00.06-RO	SEDILE L RICOPERTO	COVERED L SEAT
1	6118.00.06-BL	SEDILE L RICOPERTO	COVERED L SEAT
1	6118.00.07-RO	SEDILE XL RICOPERTO	COVERED XL SEAT
1	6118.00.07-BL	SEDILE XL RICOPERTO	COVERED XL SEAT
1	6272.18.01-KC	SEDILE M FREE LINE CARBONIO	SEAT M FREE LINE CARBON
1	6272.18.02-KC	SEDILE L FREE LINE CARBONIO	SEAT L FREE LINE CARBON
1	6272.18.03-KC	SEDILE XL FREE LINE CARBONIO	SEAT XL FREE LINE CARBON
2	10.1611.00	ASS. SUPPORTO SEDILE D	SEAT SUPPORT ASSEMBLY, RIGHT
2	10.0930.00	ASS. SUPPORTO SEDILE S	SEAT SUPPORT ASSEMBLY, LEFT
3	20.1610.06	BRACCIO SUPP.SEDILE D	SEAT SUPPORT BAR, RIGHT
3	20.0928.06	BRACCIO SUPP.SEDILE S	SEAT SUPPORT BAR, LEFT
2	10.6297.00	ASS. SUPPORTO SEDILE DX/SX L28	SEAT SUPPORT RIGHT/LEFT - L28 ASSEMBLY
3	20.4491.06	BRACCIO SUPP. SEDILE DX/SX L28	SEAT SUPPORT BAR, RIGHT/LEFT - L28
3	20.1619.06	SUPPORTO SEDILE 25x5x17	SEAT SUPPORT 25x5x17
3	20.1620.06	SUPPORTO SEDILE 25x5x8	SEAT SUPPORT 25x5x8
4	20.0543.06	SEMIGUSCIO	HALF HOLDER
5	1460.06.01	SUPPORTO SUPPL. L 220	ADDITIONAL SUPPORT L 220
5	1460.06.02	SUPPORTO SUPPL. L 240	ADDITIONAL SUPPORT L 240
5	1460.06.03	SUPPORTO SUPPL. L 260	ADDITIONAL SUPPORT L 260
5	1460.06.04	SUPPORTO SUPPL. L 280	ADDITIONAL SUPPORT L 280
5	1460.06.05	SUPPORTO SUPPL. L 300	ADDITIONAL SUPPORT L 300
5	1460.06.06	SUPPORTO SUPPL. L 320	ADDITIONAL SUPPORT L 320
5	1460.06.07	SUPPORTO SUPPL. L 340	ADDITIONAL SUPPORT L 340
5	1460.06.08	SUPPORTO SUPPL. L 360	ADDITIONAL SUPPORT L 360
5	1460.06.09	SUPPORTO SUPPL. L 380	ADDITIONAL SUPPORT L 380
5	1460.06.10	SUPPORTO SUPPL. L 400	ADDITIONAL SUPPORT L 400
6	10.5155.00	KIT FISSAGGIO SEDILE	SEAT MOUNTING KIT
7	10.2577.00	GRUPPO RONDELLE FISS.SEDILE	SEAT WASHER GROUP
8	20.3614.10-BL	ROSETTA SVASATA M8 MTS	WASHER COUNTERSUNK M8, MTS
9	20.3615.10-BL	ROSETTA SVASATA M6 MTS	WASHER COUNTERSUNK M6, MTS
10	20.3428.18	RIDUZIONE 30/28	REDUCTION 30/28
11	6170.00.01-NE	KIT PROTEZIONE LATERALE SEDILE	SIDE PROTECTOR FOR SEAT, ASSEMBLY